

# A-FRAME BARRICADES

Two Options:  
Both great for crowd control  
and road closures

## OMNI™ A-FRAME BARRICADE



- Versatile, accepts many types of boards
  - Plasticade® I-Beam boards
  - Plasticade® 1" x 8" boards (Type III boards)
  - other plastic boards (I-Beams, thin rails, panels)
  - wood boards
- 20% heavier than Plasticade® A-Frame
  - solid wall design
- Customize nameplate with your name or logo
- Stacking lugs
  - make transportation and storage easy
- Flashing light mounting receptacle on leg
- Use with one board or two
- Sold in sets or as component parts

## PLASTICADE® A-FRAME BARRICADE



- Accepts only Plasticade® I-Beam boards
- Molded hollow
  - may be weighed internally with dry sand
- Stacking lugs
  - make transportation and storage easy
- Flashing light mounting receptacle on leg
- Use with one board or two
- Sold in sets or as component parts



### I-Beam Board

I-Beam Boards have a unique design that adds to the rigidity of the unit. The recessed area for sheeting helps to protect the sheeting from damage.



### 1" x 8" Board

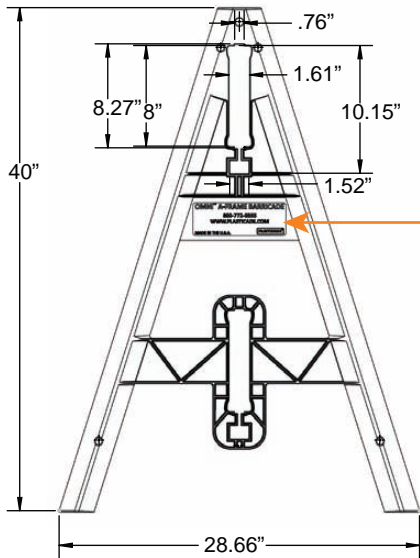
1" x 8" Boards are a hollow core extruded design. Internal walls provide lightweight strength and durability.

**PLASTICADE®**

[Plasticade.com](http://Plasticade.com)

# A-FRAME BARRICADES

## OMNI™ A-FRAME BARRICADE

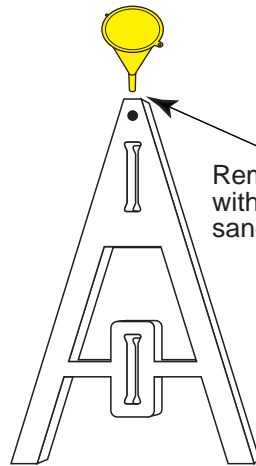
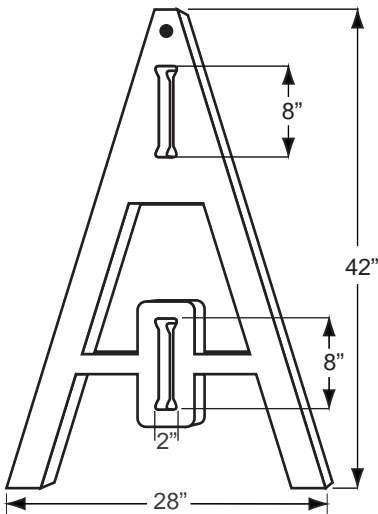


Customize the Omni™ A-Frame Leg with molded-in name or logo. Nameplate area is 7.38" W x 2.6" H

### Omni™ Specs

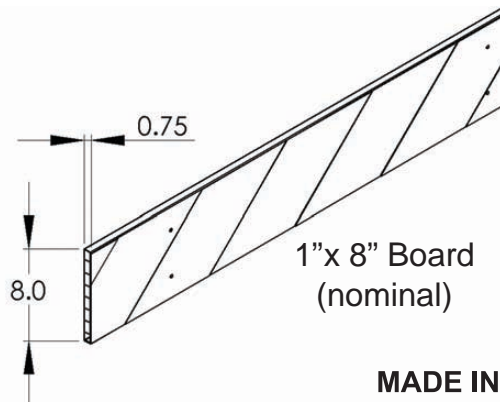
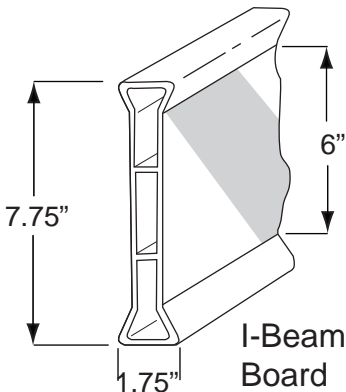
Composition	High Density Polyethylene
Dimensions	40"H x 28.6"W
Color	White, custom colors available
Weight	6 lbs.
Available I-Beam Board Lengths	6' 8' 10'
Available 1" x 8" Board Lengths	4', 6', 8' 10', 12'

## PLASTICADE® A-FRAME BARRICADE



### Plasticade® Specs

Composition	High Density Polyethylene
Dimensions	42"H x 28"W
Color	White
Weight	5 lbs.
Available I-Beam Board Lengths	6' 8' 10'



MADE IN THE USA

### PLASTICADE®

100 Howard Avenue  
Des Plaines, IL 60018  
phone (800) 772-0355  
fax (847) 966-8074

[Plasticade.com](http://Plasticade.com)